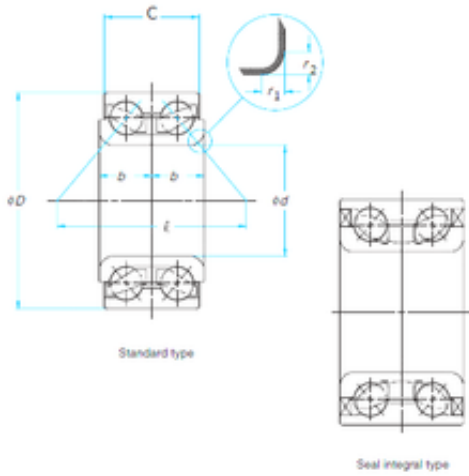




KFY MANUFACTURING MEXICO LIMITED



40 mm x 80 mm x 38 mm ISO DAC40840038
angular contact ball bearings

Bearing No. DAC40840038

Size	40x80x38 mm
Bore Diameter	40 mm
Outer Diameter	80 mm
Width	38 mm
d	40 mm
D	80 mm
B	38 mm
C	38 mm

DAC40840038 Bearing 2D drawings and 3D CAD models