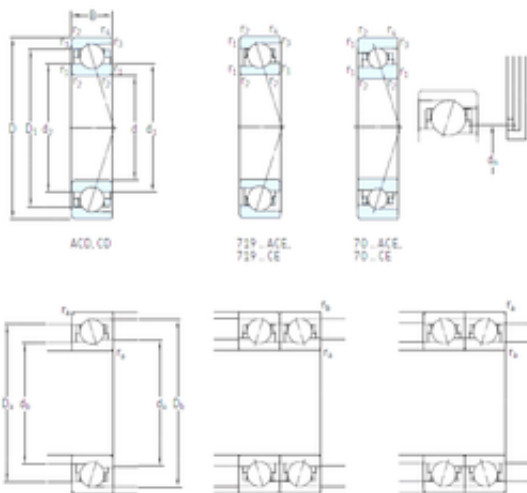




KFY MANUFACTURING MEXICO LIMITED



20 mm x 42 mm x 12 mm SKF 7004
ACE/HCP4A angular contact ball bearings

Bearing No. 7004 ACE/HCP4A

7004 ACE/HCP4A Bearing 2D drawings and 3D CAD models

Size	20x42x12 mm
Bore Diameter	20 mm
Outer Diameter	42 mm
Width	12 mm
d	20 mm
D	42 mm
B	12 mm
C	12 mm
d1	26,6 mm
d2	24,8 mm
r1 min.	0,6 mm
r2 min.	0,6 mm
r3 min.	0,3 mm
r4 min.	0,3 mm
D1	36,5 mm
D2	36,5 mm
da min.	22 mm
Da max.	40 mm
db min	22 mm
ra max.	0,6 mm
rb max.	0,3 mm
dh	28,1 mm
Db max	39,6 mm
Weight	0,056 Kg
Basic dynamic load rating (C)	7,15 kN



KFY MANUFACTURING MEXICO LIMITED

Basic static load rating (C ₀)	3,25 kN
(Grease) Lubrication Speed	58 000 r/min
(Oil) Lubrication Speed	88 000 r/min
Fatigue load limit (P _u)	0,137
d ₁	26.6 mm
d ₂	24.8 mm
D ₁	34.21 mm
r _{1,2} min.	0.6 mm
r _{3,4} min.	0.3 mm
a	13.2 mm
d _a min.	22 mm
d _b min.	22 mm
D _a max.	40 mm
D _b max.	39.6 mm
r _a max.	0.6 mm
r _b max.	0.3 mm
d _n	28.1 mm
Basic dynamic load rating C	7.15 kN
Basic static load rating C ₀	3.25 kN
Fatigue load limit P _u	0.137 kN
Attainable speed for grease lubrication	58000 r/min
Attainable speed for oil-air lubrication	88000 r/min
Ball diameter D _w	6.35 mm
Number of balls z	12
Reference grease quantity G _{ref}	1.1 cm ³
Preload class A G _A	64 N
Static axial stiffness, preload class A	58 N/ μ m
Preload class B G _B	193 N
Static axial stiffness, preload class B	86 N/ μ m



KFY MANUFACTURING MEXICO LIMITED

Preload class C G_C	390 N
Static axial stiffness, preload class C	113 N/ μ m
Calculation factor f	1.04
Calculation factor f_1	0.99
Calculation factor f_{2A}	1
Calculation factor f_{2B}	1.03
Calculation factor f_{2C}	1.06
Calculation factor f_{HC}	1.01
Calculation factor e	0.68
Calculation factor (single, tandem) Y_2	0.87
Calculation factor (single, tandem) Y_0	0.38
Calculation factor (single, tandem) X_2	0.41
Calculation factor (back-to-back, face-to-face) Y_1	0.92
Calculation factor (back-to-back, face-to-face) Y_2	1.41
Calculation factor (back-to-back, face-to-face) Y_0	0.76
Calculation factor (back-to-back, face-to-face) X_2	0.67
Mass bearing	0.056 kg