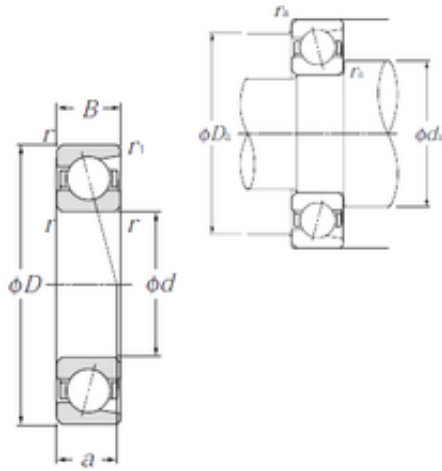




# KFY MANUFACTURING MEXICO LIMITED

110 mm x 240 mm x 50 mm NTN 7322 angular contact ball bearings



7322 Bearing 2D drawings and 3D CAD models

Bearing No. 7322

Size	110x240x50 mm
Bore Diameter	110 mm
Outer Diameter	240 mm
Width	50 mm
d	110 mm
D	240 mm
B	50 mm
C	50 mm
Angle ( ° )	25 °
a	76 mm
r min.	3 mm
r1 min.	1,1 mm
da min.	124 mm
db min	117 mm
ra max.	2,5 mm
Weight	9,6 Kg
Basic dynamic load rating (C)	246 kN
Basic static load rating (C0)	246 kN
(Grease) Lubrication Speed	3 200 r/min
Category	Angular Contact Ball Bearings
Inventory	0.0
Manufacturer Name	NTN
Minimum Buy Quantity	N/A
Weight / Kilogram	9.6



## KFY MANUFACTURING MEXICO LIMITED

EAN	4547359453706
Product Group	B00308
Enclosure	Open
Flush Ground	No
Rolling Element	Ball Bearing
Number of Rows of Balls	Single Row
Precision Class	ABEC 1   ISO P0
Maximum Capacity / Filling Slot	No
Snap Ring	No
Cage Material	Steel
Contact Angle	30 Degree
Internal Clearance	C0-Medium
Number of Bearings	1 (Single)
Inch - Metric	Metric
Long Description	110MM Bore; 240MM Outside Diameter; 50MM Width; Open; No Flush Ground; Ball Bearing; Single Row of Balls; ABEC 1   ISO P0; No Filling Slot; No Snap Ring; C0-Medium; Steel Cage; 30 Degree; 1 (Single)
Category	Angular Contact Ball Bearing
UNSPSC	31171531
Harmonized Tariff Code	8482.10.50.28
Noun	Bearing
Keyword String	Angular Contact
Manufacturer URL	<a href="http://www.ntnamerica.com">http://www.ntnamerica.com</a>
Manufacturer Item Number	7322
Bore	4.331 Inch   110 Millimeter
Width	1.969 Inch   50 Millimeter
Outside Diameter	9.449 Inch   240 Millimeter



# KFY MANUFACTURING MEXICO LIMITED